

GEKA® plus push-fit system drinking water

available now

GEKA® plus drinking water set, caravan

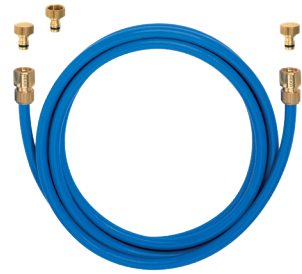
Advantage / benefit:.....**suitable for drinking water as all components are DVGW-certified perfectly hygienic filling** of drinking water tank from the dispenser to the filling spout
the set is preassembled and comes in a practical storage bag

Area of application:.....**ideal companion for the caravan, e.g., for filling the drinking water tank**

Material:.....GEKA® plus push-fit system drinking water components: brass, DIN 17660 and 50930/6; hose: PE

Scope of delivery:.....5 m or 10 m drinking water hose Rauaqua 1/2"; 2 x GEKA® plus hose piece 1/2"; 2 x GEKA® plus sealing plug; 1 x GEKA® plus tap plug 3/4"; 1 x storage bag with zip

Options:can be expanded with GEKA® plus push-fit system drinking water components



Packaging	in a bag	in a bag
Hose ID mm	13	13
Hose size	1/2"	1/2"
Hose length m	5	10
PU units	1	1
Article No.	46.1831.9	46.1833.9

Boiler filling set

available now

Boiler filling set

Area of application:.....**for refilling and emptying the water in boilers**

Scope of delivery:.....5 m GEKA® flex water hose, 1/2" (13 mm) with fabric insert
 2 x GEKA® 2/3-threaded hose fitting
 2 x Two-ear-clamp
 1 x GEKA® plus wall-mounted hose support P, light metal powder-coated

Packaging	Box
Hose ID mm	13
Hose size	1/2"
Hose length approx. m	5
PU unit	1
Article No.	13.8214.9

*only while stocks last

Limited Edition*

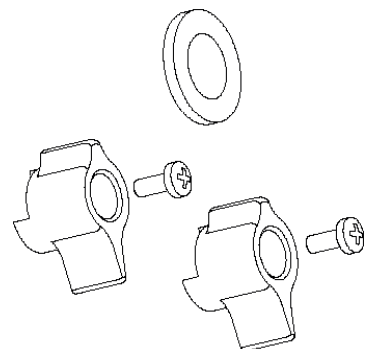


Spare parts for valves with lever

available now

Spare part set lever and flat seal

For Article No. 33.5331, 46.0431, 46.0432, 46.0433, 46.0434, 46.0435, 33.5331



Article No.	Designation
46.0440.8	Spare parts set lever and flat seal

